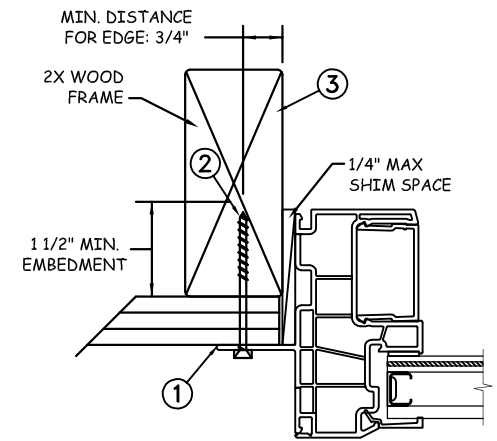
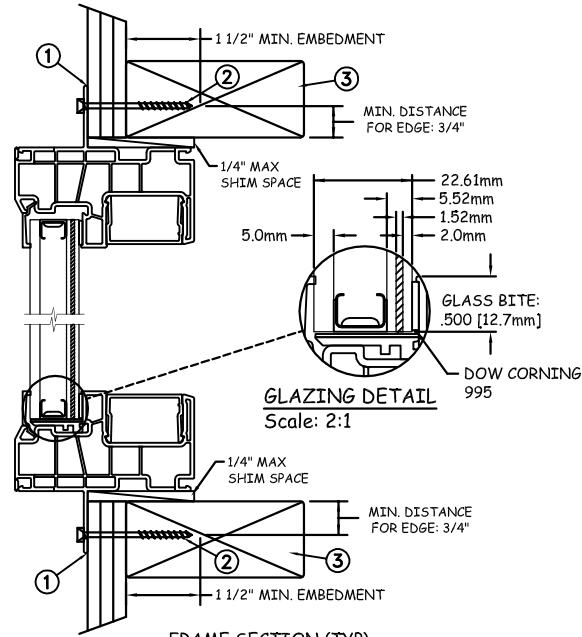
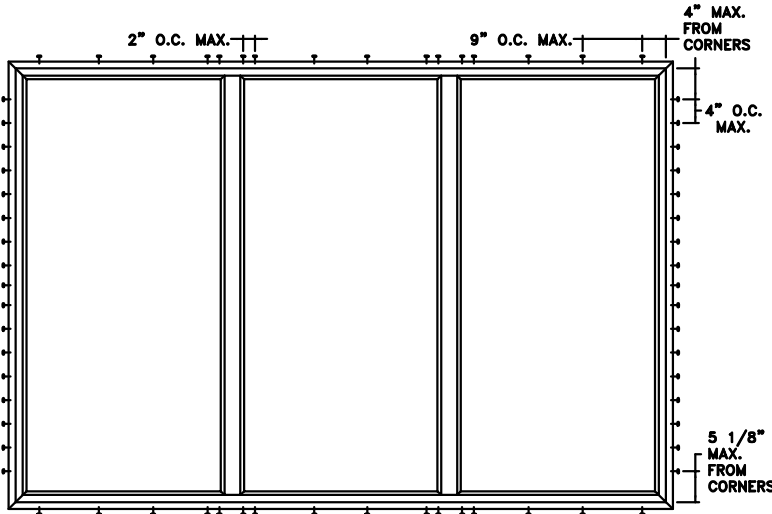


**NAIL FIN INSTALLATION**



Max Frame	DP RATING	IMPACT
108 x 72	+50/-55	YES

**WIND ZONE 2**

**Installation Notes:**

1. Seal flange/frame to substrate.
2. Use #8 PH or greater fastener through the nail fin with sufficient length to penetrate a minimum of 1 1/2" into the wood framing. For 2X wood frame substrate (min. S.G. = 0.42).
3. Host structure (wood buck, masonry, steel) to be designed and anchored to properly transfer all loads to the structure. The host structure is the responsibility of the architect or engineer of record for the project of installation.

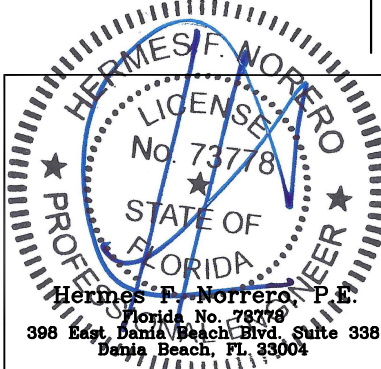
**General Notes:**

1. The product shown herein is designed, tested and manufactured to comply with the wind load criteria of the adopted International Building Code(IBC), the International Residential Code(IRC), the Florida Building Code(FBC) excluding HVHZ and the industry requirement for the stated conditions.
2. All glazing shall conform to ASTM E1300.
3. At minimum, glazing shall be 5.0mm annealed - 12.24mm airspace - 2.0mm annealed - 1.52mm PVB Interlayer by Kurraray - 2.0mm annealed insulated glass.
4. Use structural or composite shims where required.

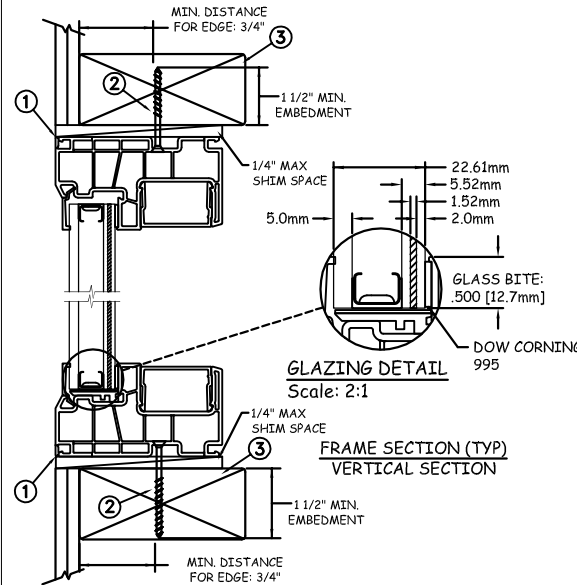
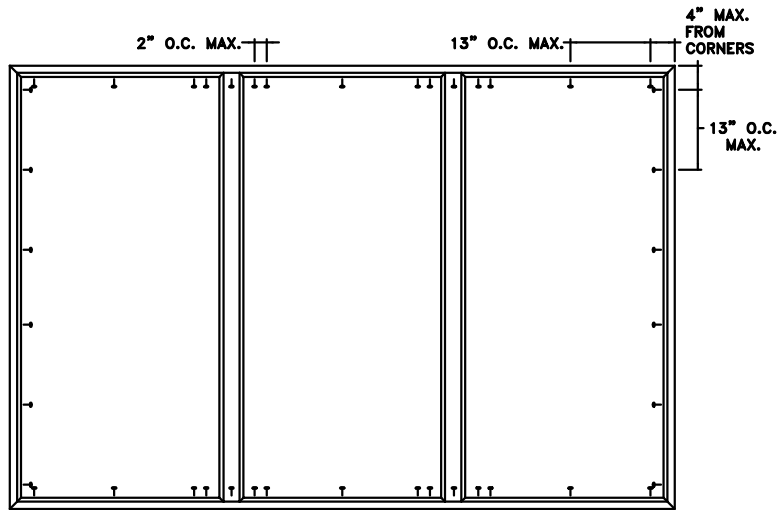
This schedule addresses only the fasteners required to anchor the window to achieve the rated design pressure up to the size limitations noted. It is not intended as a guide to the installation process and does not address the sealing consideration that may arise in different wall conditions. For the complete installation procedure, see the instructions packaged with the window or go to [www.jeld-wen.com](http://www.jeld-wen.com).

**DISCLAIMER:**

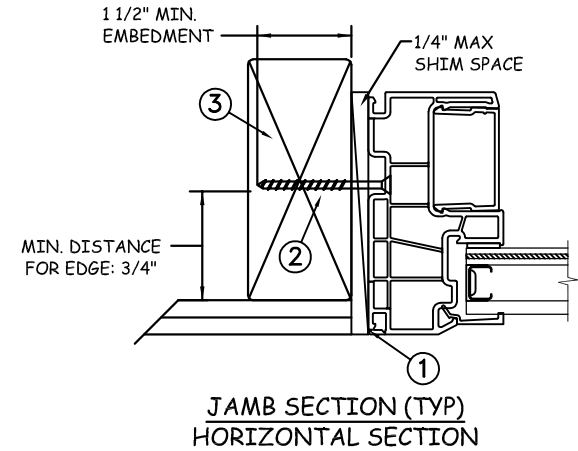
This drawing and its contents are confidential and are not to be reproduced or copied in whole or in part or used or disclosed to others except as authorized by JELD-WEN Inc.



PROJECT ENGINEER: ---	DATE: 11/16/17	<b>JELD WEN</b>	3737 Lakeport Blvd Klamath Falls, OR. 97601 Phone: (800) 535-3936	
DRAWN BY: A. McMILLAN	SCALE: NTS			
CHECKED BY: J. GOOSSEN	TITLE: Premium Vinyl Fixed Track Filler Impact Window 000 - WZ2			
APPROVED BY: J. GOOSSEN				
PART/PROJECT No.:	D014437			
IDENTIFIER No. 110-17-040	PLANT NAME AND LOCATION:	CAD DWG. No.:	REV: A	SHEET 1 OF 4



### THROUGH FRAME INSTALLATION



Max Frame	DP RATING	IMPACT
108 x 72	+50/-55	YES

WIND ZONE 2

#### Installation Notes:

1. Seal flange/frame to substrate.
2. Use #14 PH or greater fastener through the nail fin with sufficient length to penetrate a minimum of 1 1/2" into the wood framing. For 2X wood frame substrate (min. S.G. = 0.42).
3. Host structure (wood buck, masonry, steel) to be designed and anchored to properly transfer all loads to the structure. The host structure is the responsibility of the architect or engineer of record for the project of installation.

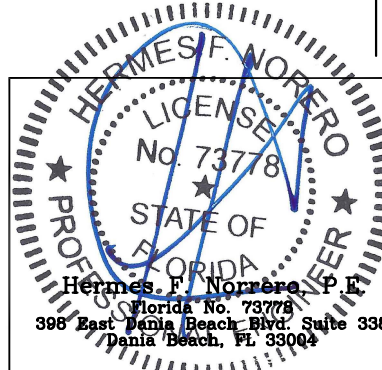
#### General Notes:

1. The product shown herein is designed, tested and manufactured to comply with the wind load criteria of the adopted International Building Code(IBC), the International Residential Code(IRC), the Florida Building Code(FBC) excluding HVHZ and the industry requirement for the stated conditions.
2. All glazing shall conform to ASTM E1300.
3. At minimum, glazing shall be 5.0mm annealed - 12.24mm airspace - 2.0mm annealed - 1.52mm PVB Interlayer by Kurraray - 2.0mm annealed insulated glass.
4. Use structural or composite shims where required.

This schedule addresses only the fasteners required to anchor the window to achieve the rated design pressure up to the size limitations noted. It is not intended as a guide to the installation process and does not address the sealing consideration that may arise in different wall conditions. For the complete installation procedure, see the instructions packaged with the window or go to [www.jeld-wen.com](http://www.jeld-wen.com).

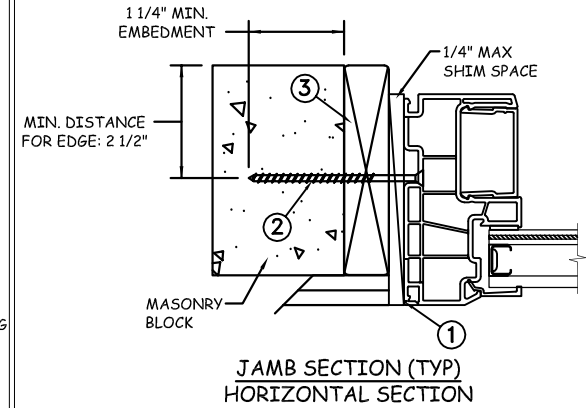
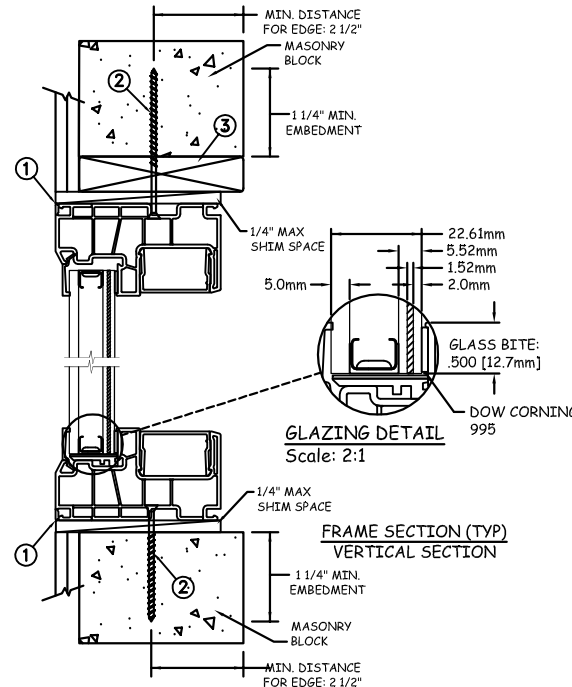
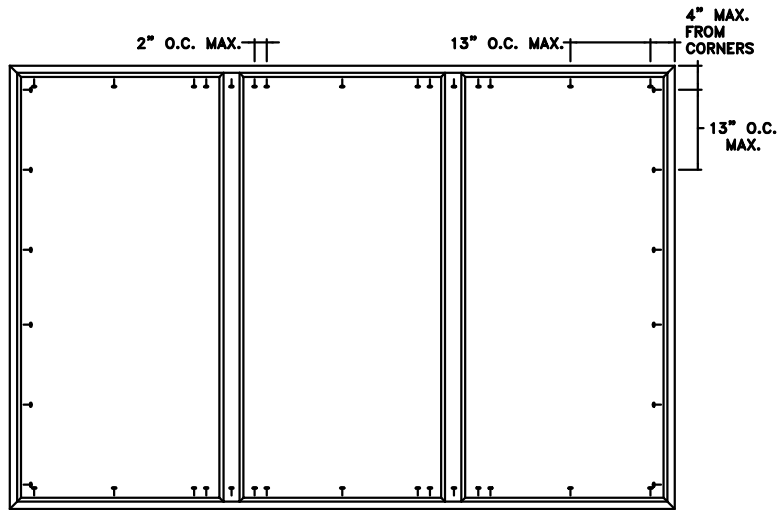
#### DISCLAIMER:

This drawing and its contents are confidential and are not to be reproduced or copied in whole or in part or used or disclosed to others except as authorized by JELD-WEN Inc.



PROJECT ENGINEER: ---	DATE: 11/16/17	<b>JELD-WEN</b> 3737 Lakeport Blvd Klamath Falls, OR. 97601 Phone: (800) 535-3936
DRAWN BY: A. MCMILLAN	SCALE: NTS	
CHECKED BY: J. GOOSSEN	TITLE: Premium Vinyl Fixed Track Filler Impact Window 000 - WZ2	
APPROVED BY: J. GOOSSEN		
PART/PROJECT No.:		
IDENTIFIER No. 110-17-040	PLANT NAME AND LOCATION:	CAD DWG. No.:
		REV: A
		SHEET 2 OF 4

**MASONRY INSTALLATION**



Max Frame	DP RATING	IMPACT
108 x 72	+50/-55	YES

**WIND ZONE 2**

**Installation Notes:**

1. Seal flange/frame to substrate.
2. Use 3/16" Tapcon or equivalent fasteners through frame with sufficient length to penetrate a minimum of 1 1/4" into concrete or masonry at each location with a 2 1/2" min from edge distance. For concrete (min. = 3000psi) or masonry (min.= 2000psi) (CMU shall conform to ASTM C90).
3. Host structure (wood buck, masonry, steel) to be designed and anchored to properly transfer all loads to the structure. The host structure is the responsibility of the architect or engineer of record for the project of installation.

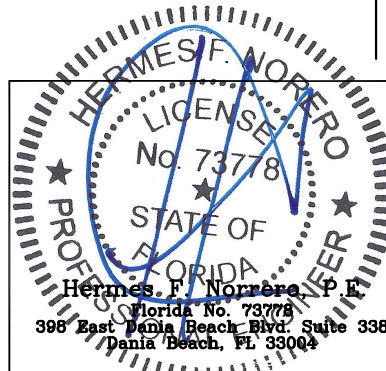
**General Notes:**

1. The product shown herein is designed, tested and manufactured to comply with the wind load criteria of the adopted International Building Code(IBC), the International Residential Code(IRC), the Florida Building Code(FBC) excluding HVHZ and the industry requirement for the stated conditions.
2. All glazing shall conform to ASTM E1300.
3. At minimum, glazing shall be 5.0mm annealed - 12.24mm airspace - 2.0mm annealed - 1.52mm PVB Interlayer by Kurraray - 2.0mm annealed insulated glass.
4. Use structural or composite shims where required.

This schedule addresses only the fasteners required to anchor the window to achieve the rated design pressure up to the size limitations noted. It is not intended as a guide to the installation process and does not address the sealing consideration that may arise in different wall conditions. For the complete installation procedure, see the instructions packaged with the window or go to [www.jeld-wen.com](http://www.jeld-wen.com).

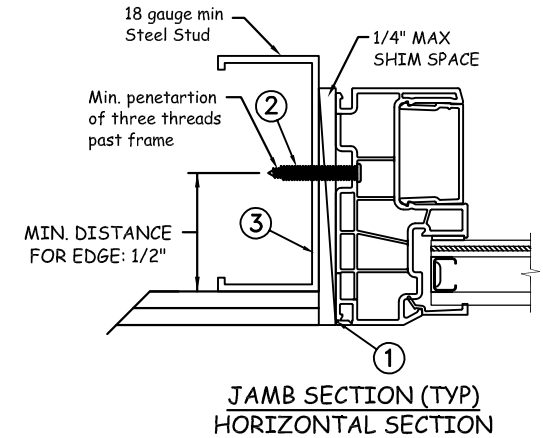
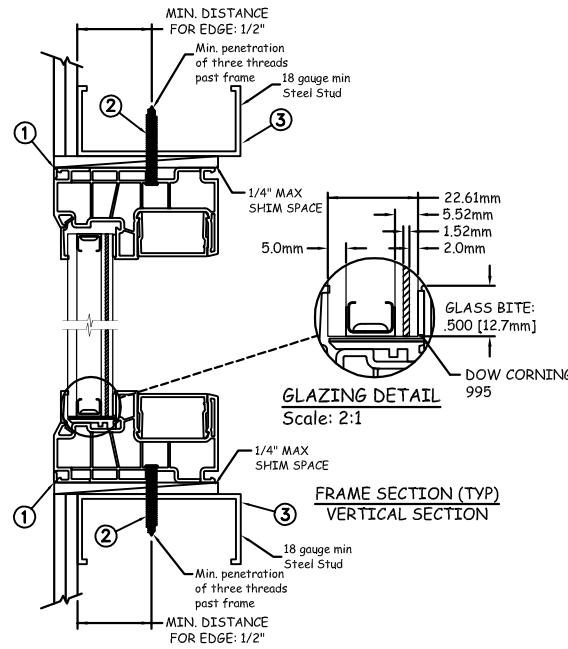
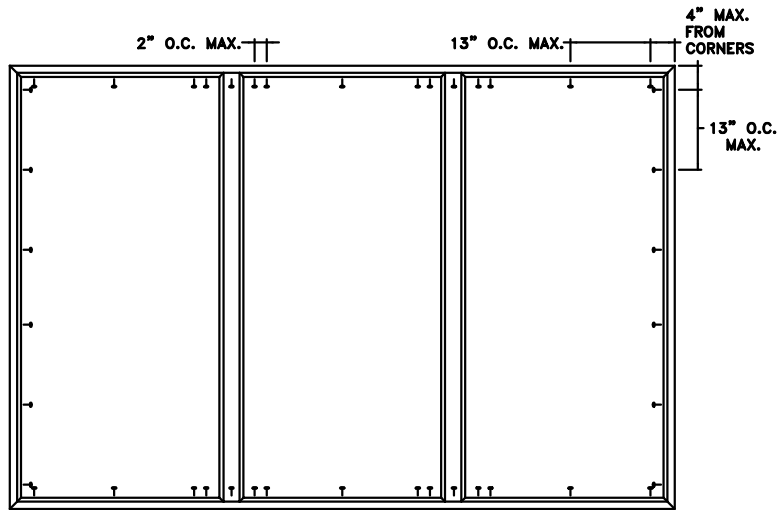
**DISCLAIMER:**

This drawing and its contents are confidential and are not to be reproduced or copied in whole or in part or used or disclosed to others except as authorized by JELD-WEN Inc.



PROJECT ENGINEER: ---	DATE: 11/16/17	<b>JELD-WEN</b> 3737 Lakeport Blvd Klamath Falls, OR. 97601 Phone: (800) 535-3936
DRAWN BY: A. MCMILLAN	SCALE: NTS	
CHECKED BY: J. GOOSSEN	TITLE: Premium Vinyl Fixed Track Filler Impact Window 000 - WZ2	
APPROVED BY: J. GOOSSEN		
PART/PROJECT No.:	D014437	
IDENTIFIER No. 110-17-040	PLANT NAME AND LOCATION:	CAD DWG. No.:
		REV: A
		SHEET 3 OF 4

**STEEL INSTALLATION**



Max Frame	DP RATING	IMPACT
108 x 72	+50/-55	YES

**WIND ZONE 2**

**Installation Notes:**

1. Seal flange/frame to substrate.
2. For anchoring into metal framing, use #10 TEK Self Tapping screws with sufficient length to achieve a minimum penetration of three threads past the frame thickness. Locate anchors as shown in elevations and installation details. Steel substrate min. 18ga., fy = 33 ksi.
3. Host structure (wood buck, masonry, steel) to be designed and anchored to properly transfer all loads to the structure. The host structure is the responsibility of the architect or engineer of record for the project of installation.

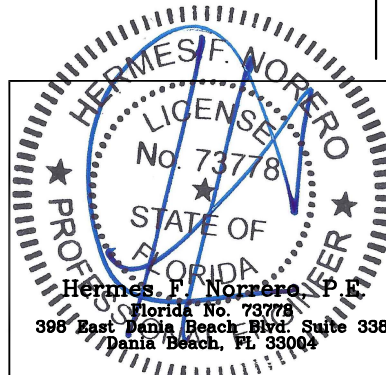
**General Notes:**

1. The product shown herein is designed, tested and manufactured to comply with the wind load criteria of the adopted International Building Code(IBC), the International Residential Code(IRC), the Florida Building Code(FBC) excluding HVHZ and the industry requirement for the stated conditions.
2. All glazing shall conform to ASTM E1300.
3. At minimum, glazing shall be 5.0mm annealed - 12.24mm airspace - 2.0mm annealed - 1.52mm PVB Interlayer by Kurraray - 2.0mm annealed insulated glass.
4. Use structural or composite shims where required.

This schedule addresses only the fasteners required to anchor the window to achieve the rated design pressure up to the size limitations noted. It is not intended as a guide to the installation process and does not address the sealing consideration that may arise in different wall conditions. For the complete installation procedure, see the instructions packaged with the window or go to [www.jeld-wen.com](http://www.jeld-wen.com).

**DISCLAIMER:**

This drawing and its contents are confidential and are not to be reproduced or copied in whole or in part or used or disclosed to others except as authorized by JELD-WEN Inc.



PROJECT ENGINEER: ---	DATE: 11/16/17	<b>JELD-WEN</b> 3737 Lakeport Blvd Klamath Falls, OR. 97601 Phone: (800) 535-3936
DRAWN BY: A. MCMILLAN	SCALE: NTS	
CHECKED BY: J. GOOSSEN	TITLE: Premium Vinyl Fixed Track Filler Impact Window OOO - WZ2	
APPROVED BY: J. GOOSSEN	PART/PROJECT No.: <b>D014437</b>	
IDENTIFIER No. 110-17-040	PLANT NAME AND LOCATION:	CAD DWG. No.:
REV: <b>A</b>		SHEET <b>4 OF 4</b>